

# **WIGGINS** Non-Pressurized Fast Fuel Systems

***Work Faster, Cleaner, Safer***



***The Leader In Fueling Systems Since 1967***

# WIGGINS Non-Pressurized Fast Fuel Systems

**Wiggins Service Systems**  
Work Faster, Cleaner, Safer

## The JN125-Fuel at 135 GPM

Wiggins Service Systems continues to lead the industry with innovative new products. We have recently introduced our second non-pressurized fast fuel system the JN125.

The JN125 allows you to use your existing Wiggins nozzle but does not pressurize the fuel tank.

### Easy to Install

- Several mounting configurations to match vehicle installation
- Can be mounted on any type of fuel tank including plastic or thin wall tanks
- Wiggins retrofit installations are as easy 1-2-3. No tank modification required:

1. Unscrew Wiggins receiver, screw in JN125 receiver
2. Unscrew Wiggins vent, screw in JN125 jet vent
3. Connect the two hoses between the receiver and jet vent
4. You are done in less than 30 minutes!

### Flexible

- New applications are also easy to install. Multiple fittings and mounting configurations are available. Let Wiggins help you design a mounting configuration to fit your equipment

### Fast

- Works with existing Wiggins fueling nozzles
- Delivers fuel up to 135 GPM
- Vehicles spend less time fueling and more time working

### Clean

- No spill - Dry break coupling
- Designed for use in environmentally sensitive areas
- Overfill protection prevents fuel spills, reduces costs

### Safe

- Most mounting configurations allow fueling to be completed while operator stands on the ground
- Reduces risk of worker injury due to slips and falls
- System is fully vented to atmosphere at all times - no pressure in tank
- Does not rely on failure - prone floats or valve; the Wiggins jet sensor has no moving parts increasing reliability



## The VR300 - Fuel at 300 GPM

The VR300 system is also non-pressurized and has a flow capacity of up to 300 gallons per minute

Non - Pressurized systems allow operators to use Wiggins high flow fueling systems on vehicles with lightweight or composite fuel tanks.

### Easy to Install

- Can be mounted directly on fuel tank, or in remote location
- Several manufacturers have equipped their vehicles to accept the VR300 mounting
- Options include air/fuel separator and vapor collection and return systems

### Fast

- Designed for vehicles with large fuel tanks
- Fuel at rates up to 300 GPM
- Spend less time fueling and more time working

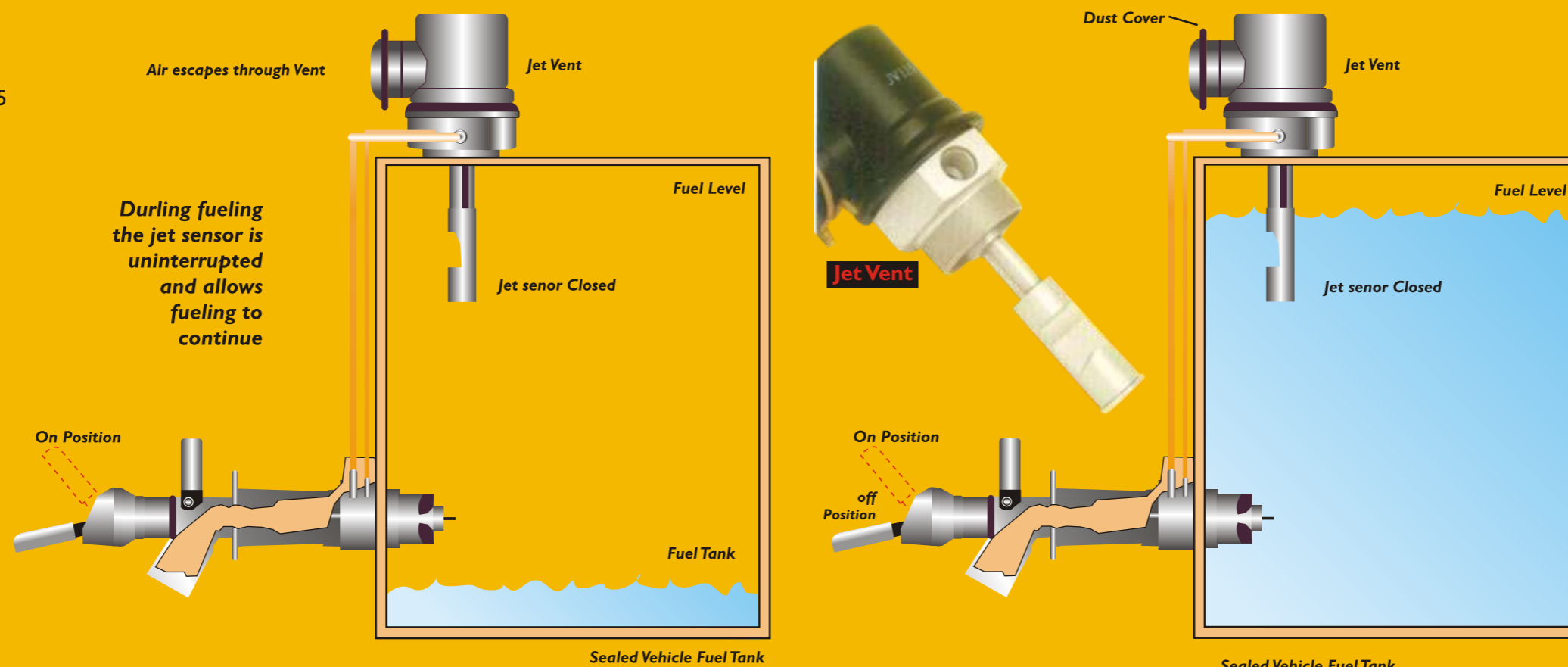
### Clean

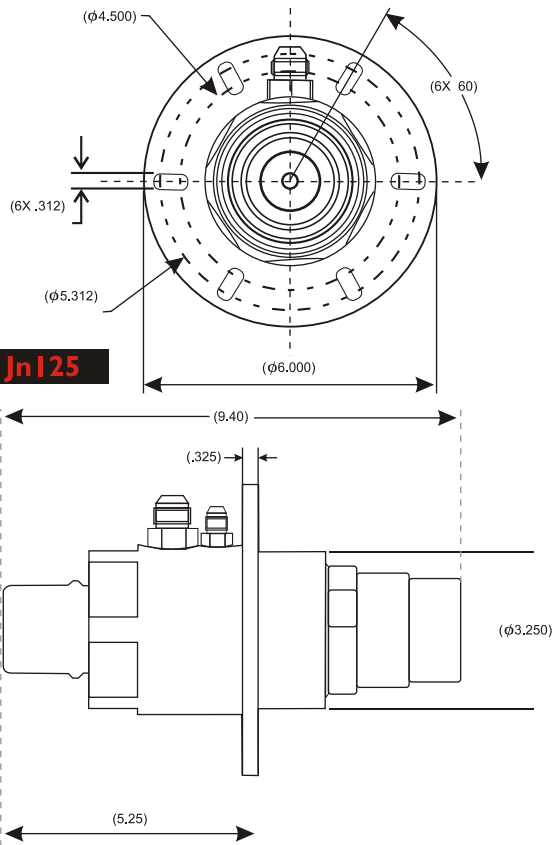
- Interlock feature prevents spills from disconnecting nozzle during fueling
- Positive shut-off cannot be overfilled, shut-off cannot be overridden
- Unique cam-lock nozzle attachment assures a leak - proof seal between nozzle and receiver

### Safe

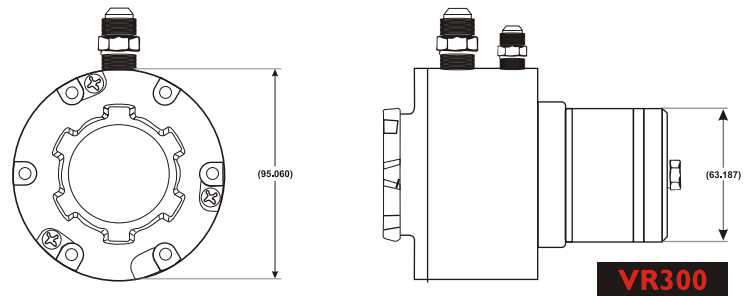
- Uses same jet sensor technology as JN125
- Nozzle includes full tank indicator display
- Proven reliability - hundreds of units in use world wide

**When the fuel level is higher than the jet sensor, the jet is interrupted and the system shuts off.**

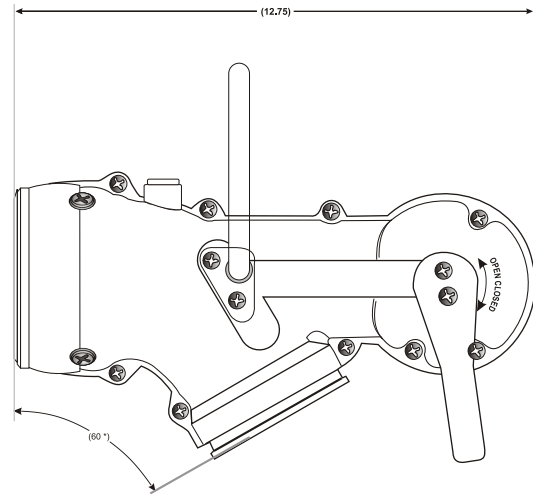




**Jn125**



**VR300**



### JN125 Specifications

|                             |                   |
|-----------------------------|-------------------|
| <b>Rated Flow:</b>          | 45 to 135 GPM     |
| <b>Operating Pressure:</b>  | 60 PSIG           |
| <b>Pressure Drop:</b>       | 11 PSID @ 100 GPM |
| <b>Disconnect Spillage:</b> | 4 cc              |
| <b>Housing Material:</b>    | Aluminium         |
| <b>Weight:</b>              | 4.25 LBS          |

### VR300 Specifications

|                                       |                                       |
|---------------------------------------|---------------------------------------|
| <b>Rated Flow:</b>                    | 10 to 300 GPM                         |
| <b>Operating Pressure:</b>            | 25 to 125 PSIG                        |
| <b>Pressure Drop:</b>                 | 7 PSID @ 200 GPM<br>18 PSID @ 300 GPM |
| <b>Connect / Disconnect Rotation:</b> | 30 Degrees                            |
| <b>Disconnect Spillage:</b>           | 3 cc, Max.                            |
| <b>Housing Material:</b>              | Aluminium                             |
| <b>Weight:</b>                        | 9 LBS                                 |

For more information on the fast fuel systems, and authorized Wiggins Service System Distributors, or to see what is new, please log onto our web-site [www.adelwiggins.com](http://www.adelwiggins.com)

 **Ecotech™ Environmental & Petromarine Engineering Pvt. Ltd.,**

Subhash Chandrabose Road, Jawahar Nagar, Opposite Abad Silver Crest Building,  
P.O. Box 2070, Kadavanthra, Cochin 682 020, Kerala, India.  
Ph: 2203609, 3090797, Mob: 94470 97709, 93491 37794, Fax: 2206509  
[www.ecotecindia.com](http://www.ecotecindia.com) | e-mail: [ecotec@satyam.net.in](mailto:ecotec@satyam.net.in)



**Wiggins Service Systems**  
5000 Triggs Street, Los Angeles, CA 90022  
323.269.9181 ■ Fax: 323.269.3759  
[www.adelwiggins.com](http://www.adelwiggins.com)